



AIRSTREAM FACILITIES VEHICLE INSPECTION AND DEFECT REPORT

FIRST USE CHECK – MARK X IF DEFECTIVE LEAVE BLANK IF VEHICLE IS SERVICEABLE

Cab Warning Devices	Passenger Seats (& Safety Belts)	Road Wheels, Wheel Nuts & Tyres
Wipers, washers & Horns	Stanchions & Grab Rails	Body Panels
Demisters, Heaters & Air	Emergency Exits	Fuel Filler Cap
Mirrors	Passenger Toilet facilities	Oil, Water, Fuel and Toilet Waste Leaks
Park Brake & Service Brake	Accessibility Features	Emergency Exits
Interior Lights	Entrance Door	Bonnets, Flaps & Doors
Directional indicators	Step and Platform Lights	Exhaust Smoke
Fire Extinguisher (first Aid Kit)	Operators Licence & Legal lettering	All displays
Floors, Treads, Steps	Windscreen & Windows	
Drivers seat (&Safety Belt)	Exterior Lights (Inc Number plate)	

Additional Notes:

Driver Name	Date	Time On Vehicle	Time Off Vehicle	Vehicle Id (Registration)

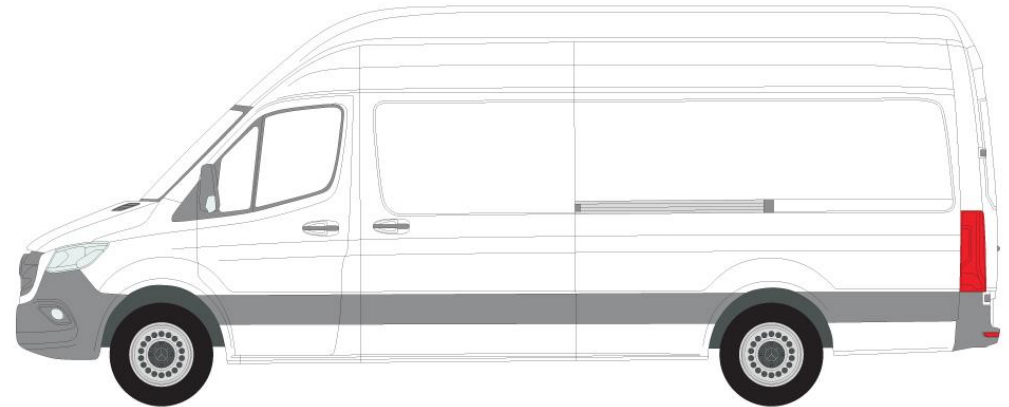
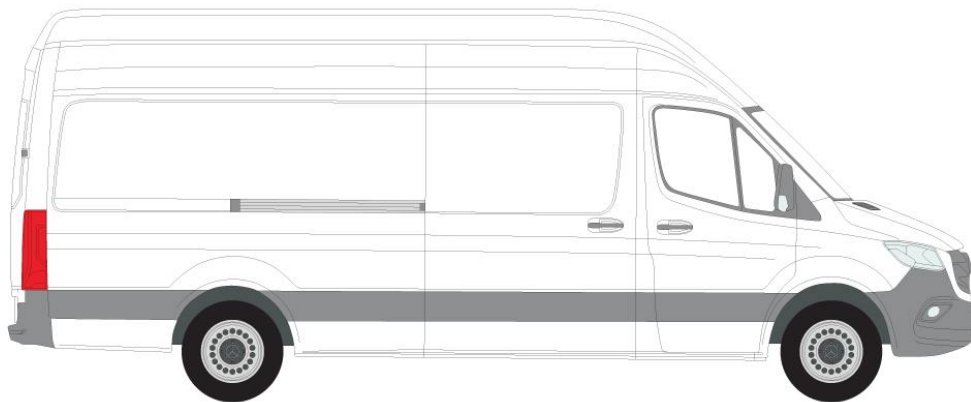
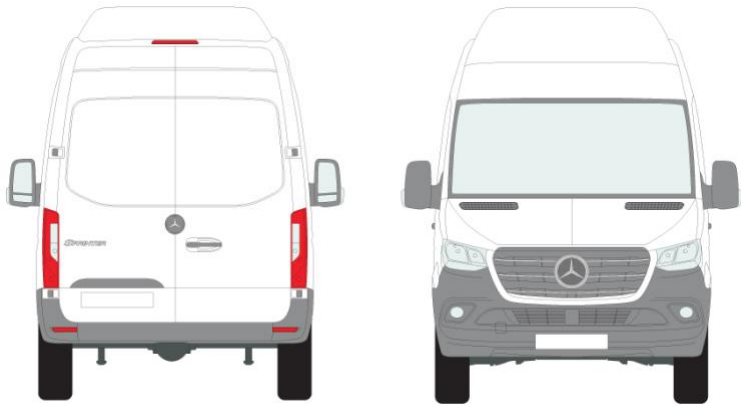


AIRSTREAM FACILITIES

AIRSTREAM FACILITIES VEHICLE INSPECTION AND DEFECT REPORT

FIRST USE CHECK – MARK X IF DAMAGE IS PRESENT

Additional Notes:



Driver Name	Date	Time On Vehicle	Time Off Vehicle	Vehicle Id (Registration)